

**TO:**  Teams  Manufacturers

**CATEGORY:**  Hypercar  LMP2  LMGTE Pro  LMGTE Am

**DECISION N°:** WEC\_2022\_D0027\_LMGTE\_BOP\_LEMANS

**DATE:** 08/06/2022

**FROM:** The WEC Committee

**SUBJECT:** Balance of Performance of the LMGTE for LE MANS Competition, Amended

## APPLICABLE REGULATION

**Article 6.3.2**  2022 24 Hours of Le Mans Sporting Regulations

## DECISION

Please find below the LMGTE BOP table. **The Balance of Performance is established and adjusted using data and information supplied by the Competitors, Manufacturers to ACO/FIA, to the WEC Committee; the declaration of these data and information constitutes a commitment and is binding.**

## PERIOD OF VALIDITY/APPLICATION OF THE DECISION

This decision comes into effect:

- with immediate application**  
 from:

And is applicable:

- until further notice**  
 for the mentioned Competition(s) only

## LMGTE PRO

CORVETTE C8.R	prev. (1)	adjust. (2)	final
(*) MIN. CAR WEIGHT (kg)	1269 kg	-	<b>1269 kg</b>
MAX. ONBOARD FUEL VOLUME (liter)	98 l.	-	<b>98 l.</b>
DECLARED MIN. LAMBDA	0,88	-	<b>0,88</b>
MIN. REAR WING ANGLE WITH RESPECT TO FLOOR	4,8	-	<b>4,8</b>
(**) ENGINE POWER - AIR RESTRICTOR			
1 x MAX RESTRICTOR DIAMETER (mm)	41,9 mm	-	<b>41,9 mm</b>

FERRARI - 488 GTE EVO	prev. (1)	adjust. (2)	final
(*) MIN. CAR WEIGHT (kg)	1269 kg	-	<b>1269 kg</b>
MAX. ONBOARD FUEL VOLUME (liter)	90 l.	-3 l.	<b>87 l.</b>
DECLARED MIN. LAMBDA	1,15	-	<b>1,15</b>
MIN. REAR WING ANGLE WITH RESPECT TO FLOOR	5,3	YES	<b>-5,3</b>
(**) ENGINE POWER - Pboost RATIO MAX. VS RPM			
4000	1,83	-0,07	<b>1,76</b>
4500	1,81	-0,07	<b>1,74</b>
5000	1,82	-0,07	<b>1,75</b>
5500	1,80	-0,07	<b>1,73</b>
6000	1,72	-0,07	<b>1,65</b>
6500	1,61	-0,07	<b>1,54</b>
7000	1,47	-0,07	<b>1,40</b>
7100	1,10	-0,07	<b>1,03</b>

PORSCHE 911 RSR - 19	prev. (1)	adjust. (2)	final
(*) MIN. CAR WEIGHT (kg)	1285 kg	-	<b>1285 kg</b>
MAX. ONBOARD FUEL VOLUME (liter)	102 l.	-	<b>102 l.</b>
DECLARED MIN. LAMBDA	0,89	-	<b>0,89</b>
MIN. REAR WING ANGLE WITH RESPECT TO FLOOR	2,0	YES	<b>-1,8</b>
(**) ENGINE POWER - AIR RESTRICTOR			
2 x MAX. RESTRICTOR DIAMETER (mm)	30,7 mm	-	<b>30,7 mm</b>

### Notes:

Additional data is required from the Team ECU for all competitors. This data should be sent by the base software, supplied by the ECU manufacturer, which is therefore an accurate measurement on each parameter. (see Electronic Package for channels details)

### Adjustments are made with:

- the waivers required;
- with the data provided by the manufacturers;
- with the information provided by the manufacturers;
- with analysis made by FIA/ACO.

(\*): weight including camera (or dummy) equipment

(\*\*): including new correction versus T\*Manifold

(1): the previous value is referring to the previous BOP

(2): the adjustments are related to the changes done for this BOP

## LMGTE AM

ASTON MARTIN VANTAGE AMR	prev. (1)	adjust. (2)	final
(*) MIN. CAR WEIGHT (kg)	1262 kg	-	<b>1262 kg</b>
MAX. ONBOARD FUEL VOLUME (liter)	92 l.	-	<b>92 l.</b>
DECLARED MIN. LAMBDA	0,94	-	<b>0,94</b>
MIN. REAR WING ANGLE WITH RESPECT TO FLOOR	4,1	-	<b>4,1</b>
(**) ENGINE POWER - Pboost RATIO MAX. VS RPM			
	Pboost ratio Max (-)		
4000	1,37	-	<b>1,37</b>
4500	1,42	-	<b>1,42</b>
5000	1,42	-	<b>1,42</b>
5500	1,43	-	<b>1,43</b>
6000	1,43	-	<b>1,43</b>
6500	1,38	-	<b>1,38</b>
7000	1,29	-	<b>1,29</b>
7200	1,26	-	<b>1,26</b>
7300	1,12	-	<b>1,12</b>

FERRARI - 488 GTE EVO	prev. (1)	adjust. (2)	final
(*) MIN. CAR WEIGHT (kg)	1279 kg	-	<b>1279 kg</b>
MAX. ONBOARD FUEL VOLUME (liter)	87 l.	-3 l.	<b>84 l.</b>
DECLARED MIN. LAMBDA	1,15	-	<b>1,15</b>
MIN. REAR WING ANGLE WITH RESPECT TO FLOOR	5,3	YES	<b>-5,3</b>
(**) ENGINE POWER - Pboost RATIO MAX. VS RPM			
	Pboost ratio Max (-)		
4000	1,77	-0,06	<b>1,71</b>
4500	1,75	-0,06	<b>1,69</b>
5000	1,76	-0,06	<b>1,70</b>
5500	1,74	-0,06	<b>1,68</b>
6000	1,66	-0,06	<b>1,60</b>
6500	1,55	-0,06	<b>1,49</b>
7000	1,41	-0,06	<b>1,35</b>
7100	1,04	-0,06	<b>0,98</b>

PORSCHE 911 RSR - 19	prev. (1)	adjust. (2)	final
(*) MIN. CAR WEIGHT (kg)	1295 kg	-	<b>1295 kg</b>
MAX. ONBOARD FUEL VOLUME (liter)	99 l.	-	<b>99 l.</b>
DECLARED MIN. LAMBDA	0,89	-	<b>0,89</b>
MIN. REAR WING ANGLE WITH RESPECT TO FLOOR	2,0	YES	<b>-1,8</b>
(**) ENGINE POWER - AIR RESTRICTOR			
2 x MAX. RESTRICTOR DIAMETER (mm)	30,2 mm	-	<b>30,2 mm</b>

### Notes:

ASTON MARTIN: AERODYNAMIC KIT "B"

### Adjustments are made with:

- the waivers required;
- with the data provided by the manufacturers;
- with the information provided by the manufacturers;
- with analysis made by FIA/ACO.

(\*): weight including camera (or dummy) equipment

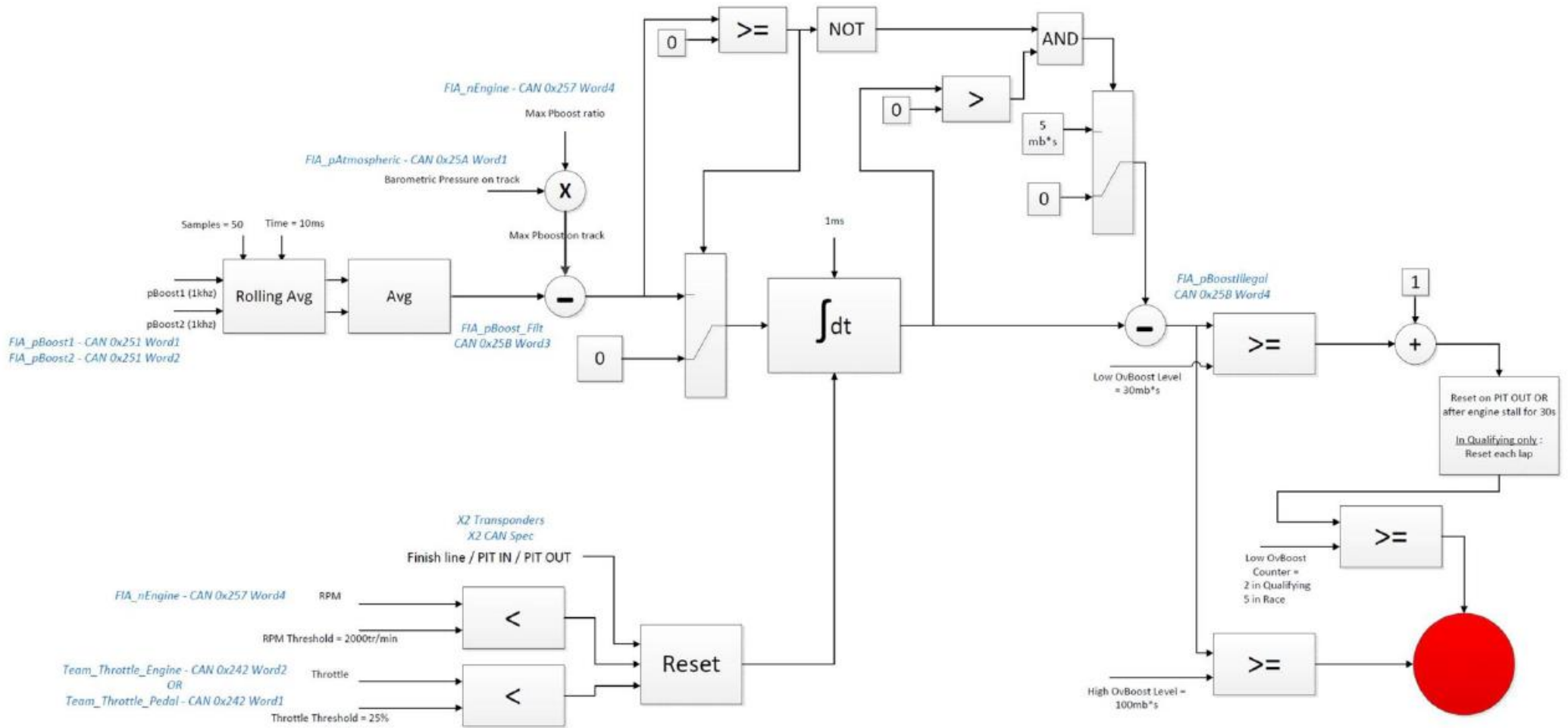
(\*\*): including new correction versus T\*Manifold

(1): the previous value is referring to the previous BOP

(2): the adjustments are related to the changes done for this BOP

Any decision taken by the WEC Committee is not subject to appeal.

<http://fiawec.alkamelsystems.com/noticeBoard.html>



Any decision taken by the WEC Committee is not subject to appeal.

<http://fiawec.alkamelsystems.com/noticeBoard.html>